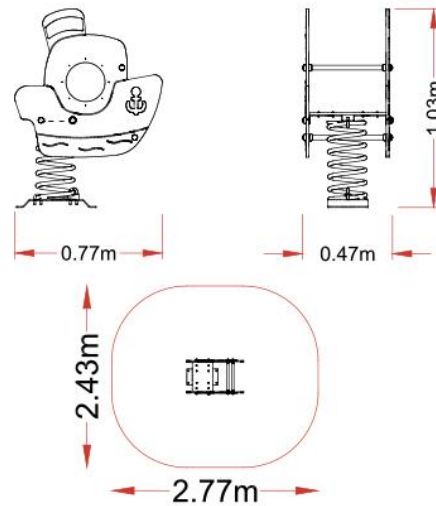


Boat Spring Rocker

Ref.JIMBAL031A



Specifications

- Individual boat-shaped dock play.
- Spring made of 20 mm thick steel. Painted with baked polyester paint.
- Seat and all other elements made of atmospheric condition resistant HDPE.
- No sharp edges or cracks that could pose a danger to the head entrapment, fingers or any other part of the body.
- All screws covered with colored plastic caps.
- Recommended age of 3-12 years.
- The device is designed for public playgrounds.
- Certified according to UNE EN1 176.